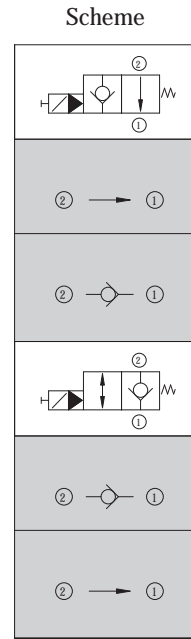
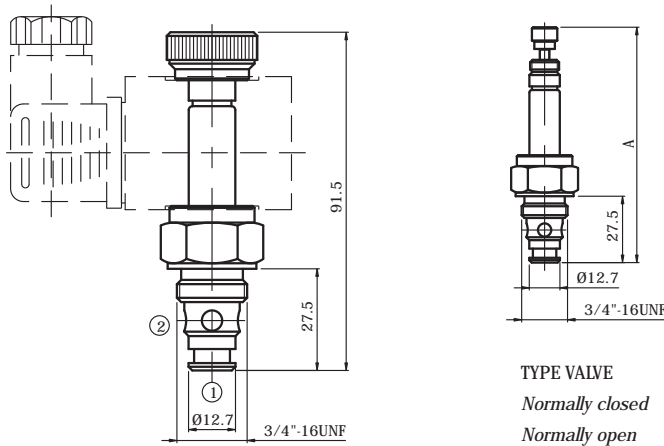


Two-ways valve with electric drive

Code	Description
	<i>Normally open</i>
562611L40B0E	Valve VEI-8A2A06.18K02.17NAC218SXX3
562611L40B1F	Valve VEI-8A2A06.18K02.19NA-S9
	<i>Normally closed</i>
562611L40A0E	Valve VEI-8A2A06.18K05.37NCC218SXX3
562611L40E0E	Valve VEI-8A2A06.18K05.47NCC218SXX3



Other circuits on request.

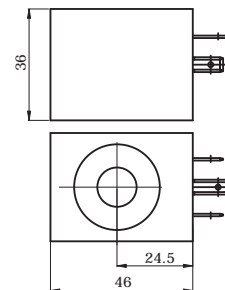


Coil

Code	Description
56263610E02E	S8H12.7 12V DC. 19W
56263610E04E	S8H12.7 24V DC. 17W
56263610E05E	S8H12.7 48V DC. 19W
56263610E09E	S8H12.7 24V RAC 19W
56263610E09F	S8H12.7 48V RAC 19W
56263610E0AE	S8H12.7 110V RAC 19W
56263610E0BE	S8H12.7 220V RAC 17W

Other voltages on request.

Coil drawing



Coil for non stop service.