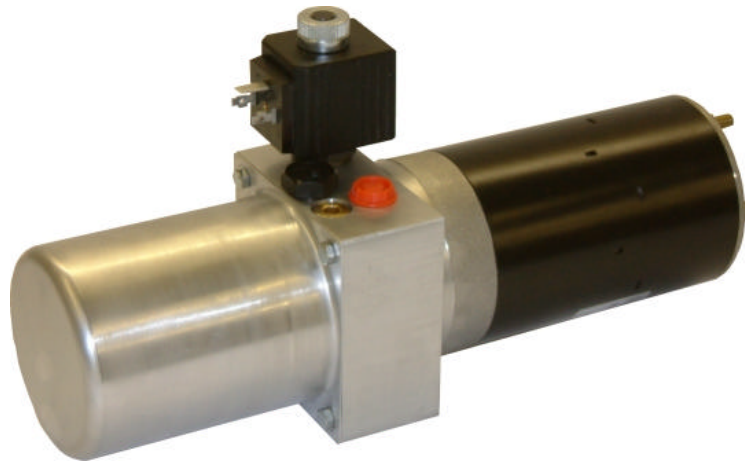


HPU Uni-directional Hydraulic Power Pack



Description

The HPU Uni-directional Hydraulic Power Pack offers a single acting hydraulic function within a very compact space. With 150W to 800W DC Motors and 0.12 to 0.25kW AC Motors the gear pump can produce pressures up to 200bar. A hardened steel check valve seat gives leak free control of lifting cylinders. A Relief valve gives maximum pressure control. The solenoid Valve can be Normally open or closed and an optional compensated flow control insert gives constant lowering speed.

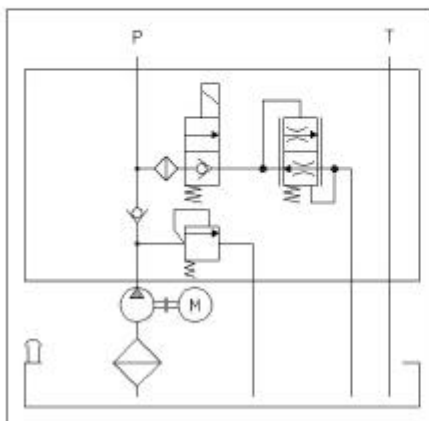
Available Types

DC Motor	12V 150W, 250W, 500W, 800W	24V 150W, 250W, 500W, 800W
AC Motor	240v220/240V 1ph 50Hz 150W, 250W FHP and 0.18, 0.25 and 0.37kW 63 & 71 Frame IEC	
Gear Pump	Group 0 with displacements of 0.16; 0.24; 0.45; 0.56; 0.75; 0.98; 1.27; 1.48; 2.28 cc/rev	
Reservoir Volumes (Litres)	Thermo-Plastic Available on request	Aluminium (85dia) 0.1L 80 Long 0.2L 100 Long 0.5L 150 Long

Technical data

Max Flow	5 LPM
Max Continuous Pressure	200 bar
Max Peak Pressure	280 bar
Ambient Temperature	-15 to +50°C
Oil Temperature	-15 to +70°C
IP Rating	IP54 (others on request)
Supply voltage	1ph 220/ 240V 50Hz 12V and 24VDC
Recommended Oil	Hydraulic Mineral Oil ISO 6743/4 DIN 51519 Viscosity ISO3448
Permissible contamination	17/14 ISO 4406 class
Central Manifold Connection	Pressure (P) = 1/4"BSP Tank (T) = 1/4"BSP

Standard Manifold Type 'U1'

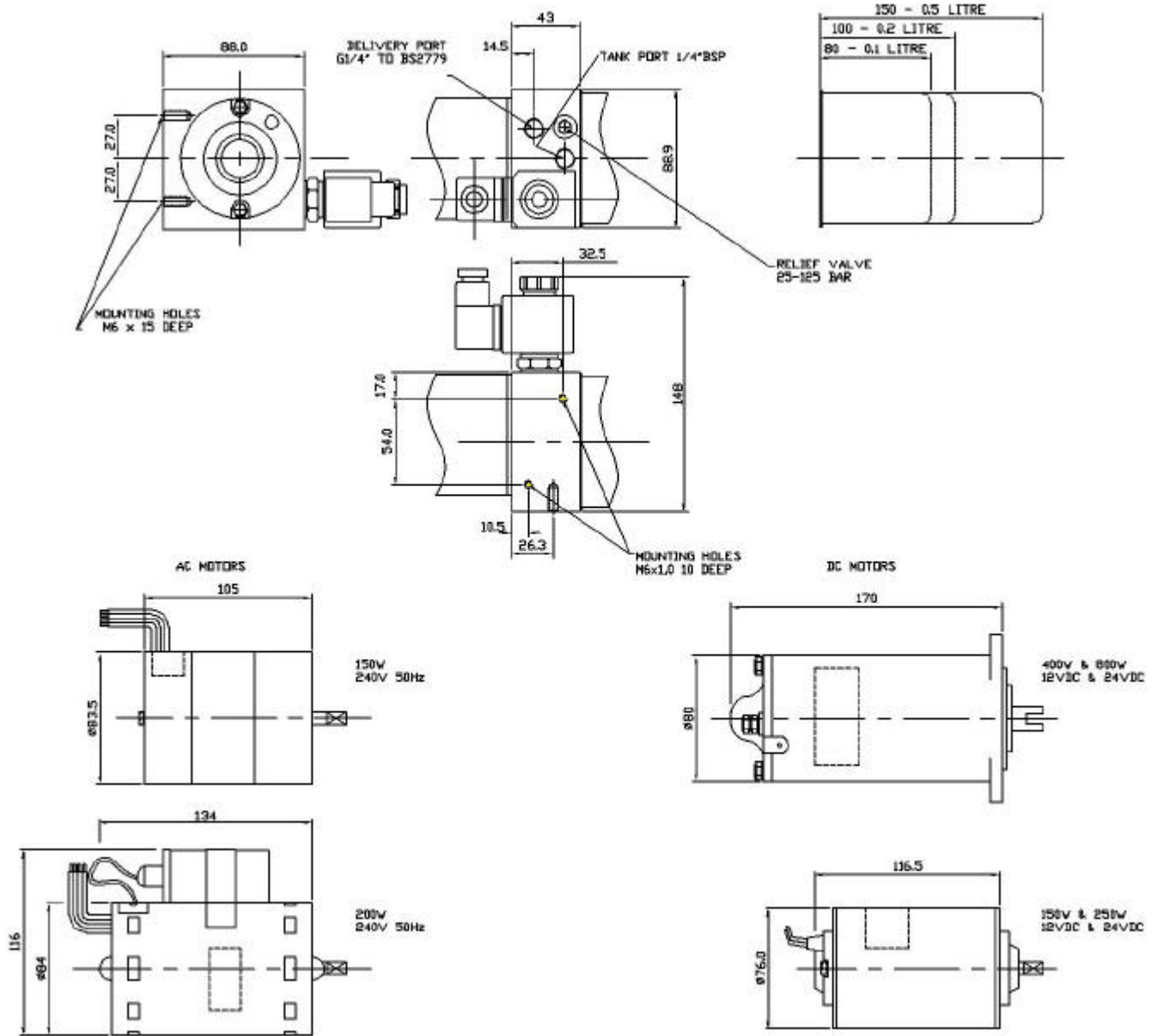


Note:- For further manifold options refer to the manufacturer.

Performance Graphs

See TI-100-01 for Motor Graphs and dimensions

Dimensions (Typical) in millimetres



HPU 11 - 04 - H - S - C - S01

MOTOR		
1		12 Volt
2		24 Volt
	1	150W
	2	250W
	5	500W
	8	800W
M	1	150W 240V AC

MOUNTING	
H	Horizontal mounting
V	Vertical Mounting

PUMP	
01	0.16cc/rev
02	0.24
04	0.45
05	0.56
07	0.75
10	0.98
12	1.27
15	1.48

MANIFOLD	
S	Standard Manifold

SOLENOID VALVE	
C	Normally Closed
O	Normally Open
N	None

TANK	
B	Body Filler
E	End Filler
P	Pressurised Filler
S	No Filler
	01 0.1 Litre Steel
	02 0.2 Litre Steel
	05 0.5 Litre Steel