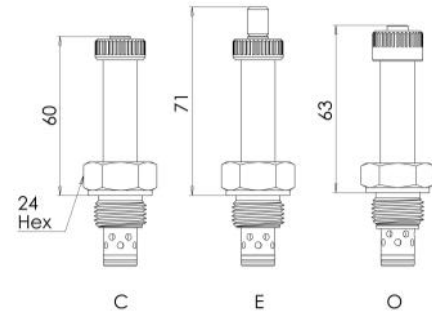


Single Acting Cartridge Valve

Solenoid Operated

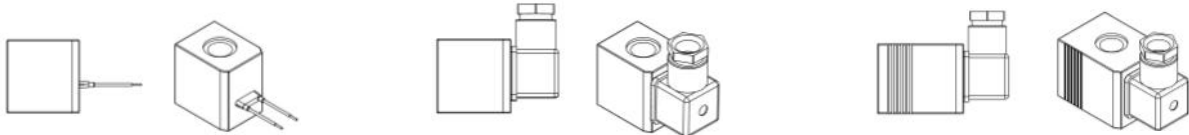


Description	Type
Normally Closed Poppet	C
Normally Closed Poppet with Emergency Override	E
Normally Open Poppet—use 22Watt coils only	O



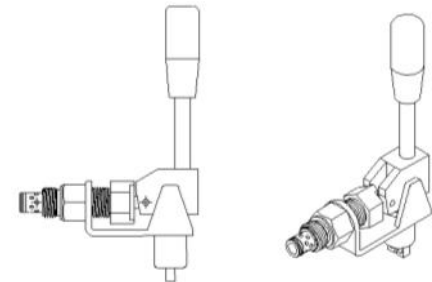
Solenoid Coils

Description	Voltages
18W with Flying leads	12VDC, 24VDC
18Watt with DIN connector	12VDC, 24VDC, 24VAC, 110VAC, 240VAC
22Watt with DIN connector	12VDC, 24VDC, 24VAC, 110VAC, 240VAC



Lever Operated

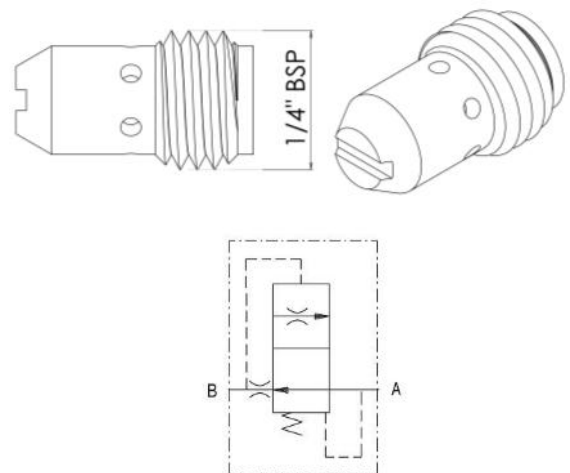
Description	Type
Normally Closed with Microswitch	L



Flow Control Insert

Pressure Compensated Fixed Flow Insert

Description	Type
VSCF01— 1 l/min	1
VSCF02— 2 l/min	2
VSCF03— 3 l/min	3
VSCF04— 4 l/min	4
VSCF05— 5 l/min	5
VSCF06— 6 l/min	6
VSCF07— 7 l/min	7
VSCF08— 8 l/min	8
VSCF09— 9 l/min	9
VSCF010— 10 l/min	10



HPM
TD4
33W
H
S
C
N
OSP
C
4567