

## GROUP 2 PUMPS - HERCULES SERIES

### BEARINGS

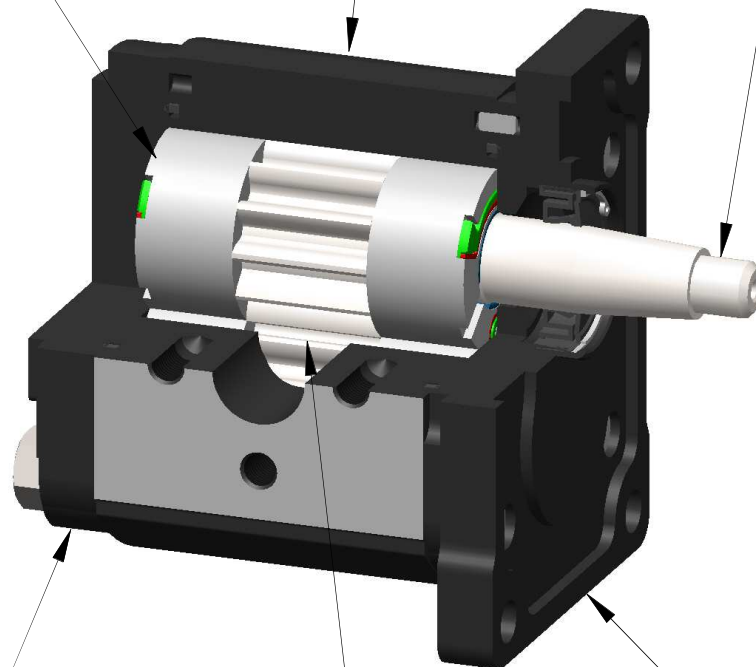
- Hi-resistant aluminium alloy with DU sleeve bearings to offer high performances.
- Available in bronze material

### GEAR HOUSING

Made in cast iron material  
G30

### DRIVE SHAFTS

Choice of several standard drive shafts



### COVER

Made in cast iron material  
and available with suction port

### MOUNTING FLANGES

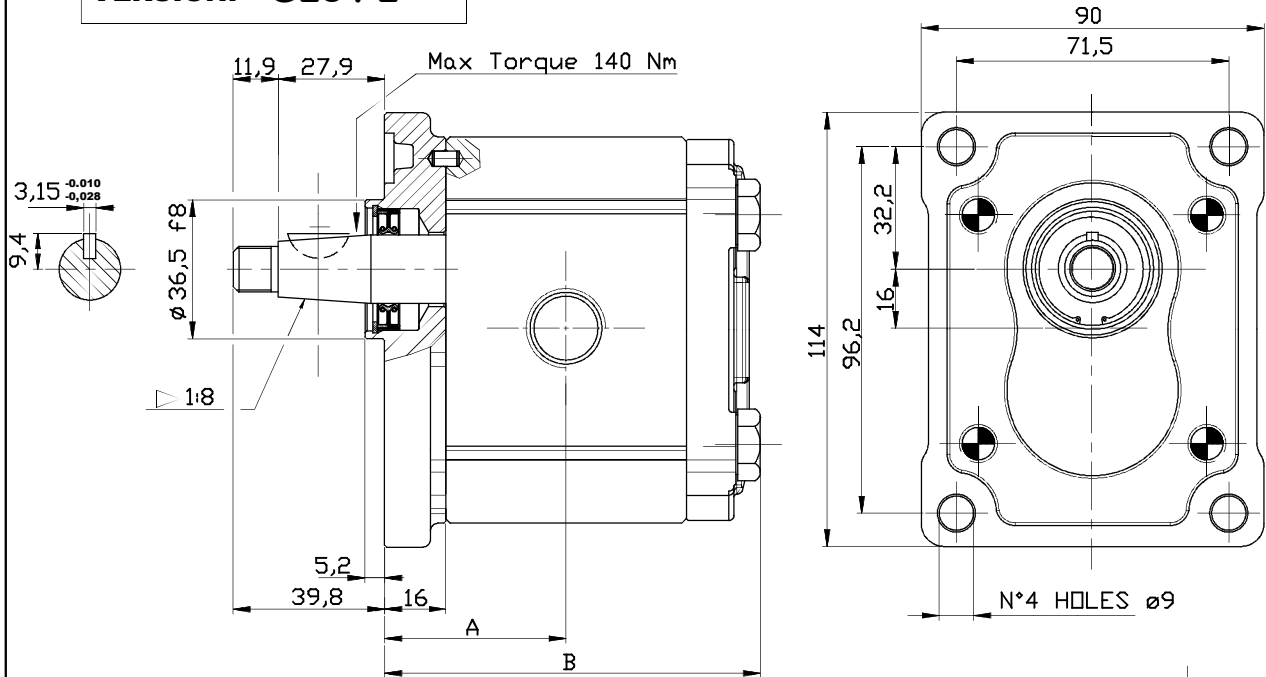
Choice of several mounting flanges in cast iron

### GEARS

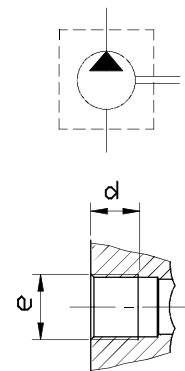
Designed specifically to reduce the noise level and offer the best performance between flow pulsation and displacements

## GROUP 2 PUMPS - EUROPEAN STANDARD HERCULES SERIES

**VERSION: G28 P2**



Type	Displacement (cc/rev.)	Max working pressure P1 (bar)	Peak pressure P3 (bar)	Max speed (r.p.m)	Dimension		Inlet port		Outlet port	
					A	B	e	d	e	d
OT 200 P04	04,10	280	330	4000	40,00	83,50	G1/2	14	G1/2	14
OT 200 P06	06,20	280	330	3500	41,50	86,50	G1/2	14	G1/2	14
OT 200 P08	08,20	280	330	3500	43,00	89,50	G1/2	14	G1/2	14
OT 200 P11	11,20	280	330	3500	45,15	93,80	G1/2	14	G1/2	14
OT 200 P14	14,00	280	330	3000	47,15	97,80	G3/4	16	G1/2	14
OT 200 P16	16,00	270	330	3000	48,60	100,7	G3/4	16	G1/2	14
OT 200 P20	20,00	225	265	3000	51,50	106,5	G3/4	16	G1/2	14
OT 200 P22	22,50	190	230	2500	57,35	118,2	G3/4	16	G1/2	14
OT 200 P25	25,10	190	230	2500	59,25	122,0	G3/4	16	G1/2	14



### EXAMPLE OF ORDERING CODE

**OT20H P 08 S / G 28 P2 - A**

Series

Pumps

Pump displacement

Rotation

S Anti-clockwise  
D Clockwise

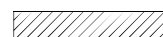
Bushings

A Alluminium  
B Bronze

European standard flange

Taper shaft ( 1:8 )

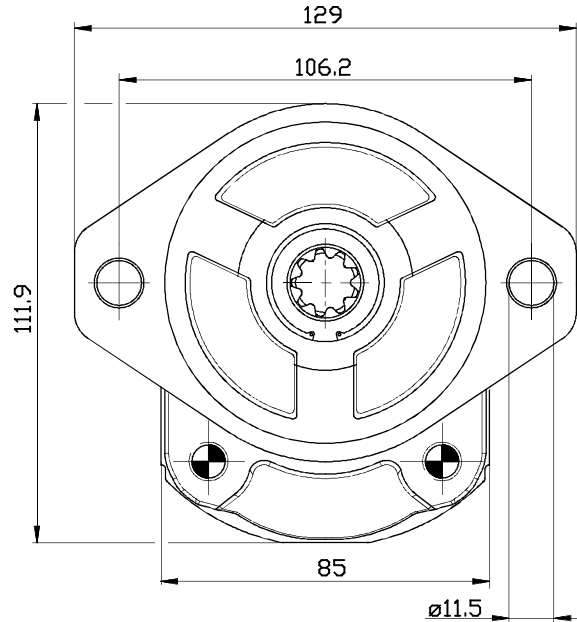
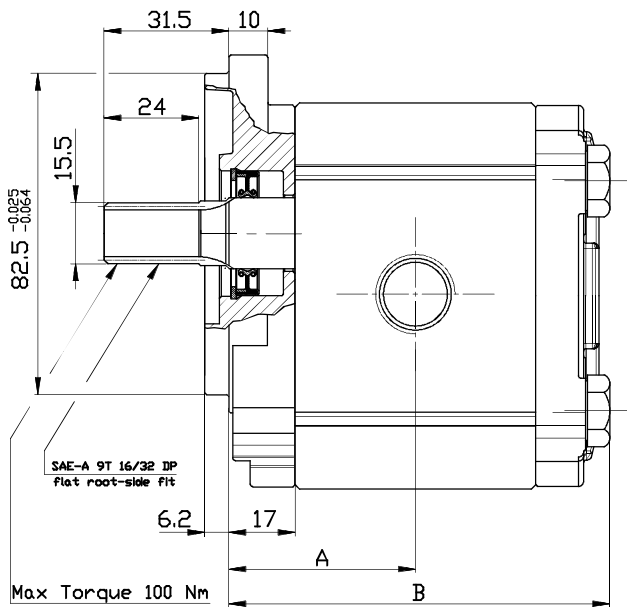
Body with threaded ports (BPS)



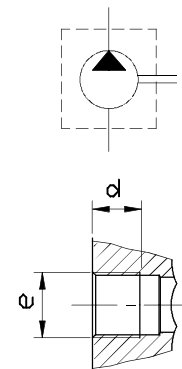
AVAILABLE FOR QUANTITIES

## GRUPO 2 PUMPS - SAE "A" STANDARD - HERCULES SERIES

**VERSION: G21 S2**



Type	Displacement (cc/rev)	Max working pressure P1 (bar)	Peak pressure P3 (bar)	Max speed (r.p.m)	Dimension		Inlet port		Outlet port	
					A	B	e	d	e	d
OT 200 P04	04,10	280	330	4000	40,00	83,50	G1/2	14	G1/2	14
OT 200 P06	06,20	280	330	3500	41,50	86,50	G1/2	14	G1/2	14
OT 200 P08	08,20	280	330	3500	43,00	89,50	G1/2	14	G1/2	14
OT 200 P11	11,20	280	330	3500	45,15	93,80	G1/2	14	G1/2	14
OT 200 P14	14,00	280	330	3000	47,15	97,80	G3/4	16	G1/2	14
OT 200 P16	16,00	270	330	3000	48,60	100,7	G3/4	16	G1/2	14
OT 200 P20	20,00	225	265	3000	51,50	106,5	G3/4	16	G1/2	14
OT 200 P22	22,50	190	230	2500	57,35	118,2	G3/4	16	G1/2	14
OT 200 P25	25,10	190	230	2500	59,25	122,0	G3/4	16	G1/2	14



### EXAMPLE OF ORDERING CODE

**OT20H P 08 S / G 21 S2 - A**

Series

Pumps

Pump displacement

Rotation

S Anti-clockwise  
D Clockwise

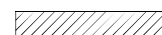
Bushings

A Alluminium  
B Bronze

SAE A flange

SAE A - 9T 16/32 DP shaft

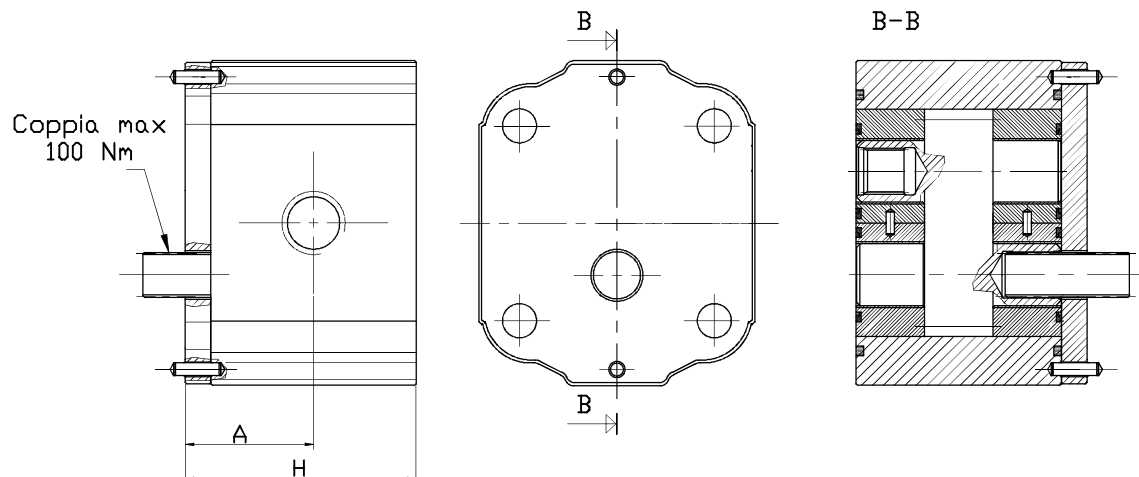
Body with threaded ports (BSP)



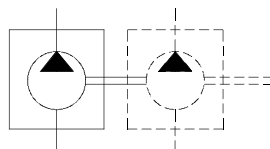
AVAILABLE FOR QUANTITIES

## INTERMEDIATE GROUP 2 PUMPS FOR TANDEM - HERCULES SERIES

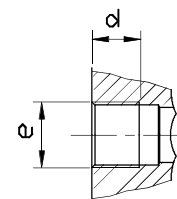
**VERSION: G X X INTERMEDIATE**



NOTE : Screw tightening torque 48 Nm



Type	Displacement (cc/rev)	Max working pressure P1 (bar)	Peak pressure P3 (bar)	Max speed (r.p.m)	Dimension		Inlet port		Outlet port	
					A	B	e	d	e	d
<b>OT 200 P04</b>	04,10	280	330	4000	40,00	83,50	G1/2	14	G1/2	14
<b>OT 200 P06</b>	06,20	280	330	3500	41,50	86,50	G1/2	14	G1/2	14
<b>OT 200 P08</b>	08,20	280	330	3500	43,00	89,50	G1/2	14	G1/2	14
<b>OT 200 P11</b>	11,20	280	330	3500	45,15	93,80	G1/2	14	G1/2	14
<b>OT 200 P14</b>	14,00	280	330	3000	47,15	97,80	G3/4	16	G1/2	14
<b>OT 200 P16</b>	16,00	270	330	3000	48,60	100,7	G3/4	16	G1/2	14
<b>OT 200 P20</b>	20,00	225	265	3000	51,50	106,5	G3/4	16	G1/2	14
<b>OT 200 P22</b>	22,50	190	230	2500	57,35	118,2	G3/4	16	G1/2	14
<b>OT 200 P25</b>	25,10	190	230	2500	59,25	122,0	G3/4	16	G1/2	14



### EXAMPLE OF ORDERING CODE

**OT20H P 08 S / G X X - A / INTERMEDIA**

Series

Pump

Displacement  
(see above table)

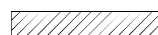
Bushings

A	Alluminium
B	Bronze

Body with threaded ports (BSP)

Rotation

S	Anti-clockwise
D	Clockwise



AVAILABLE FOR QUANTITIES