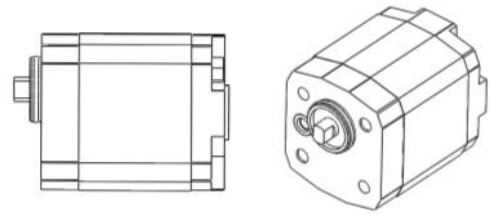


HYDRAULIC PUMPS

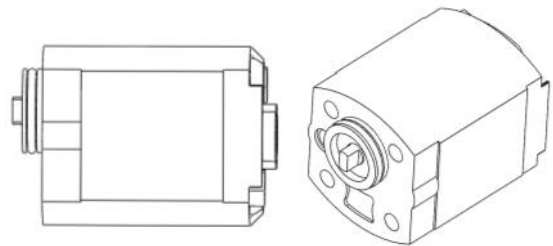
Gear Pump group 0

Size cm ³	PMax	Type
0.25	180	02C
0.50	180	05C
0.75	250	07C



Gear Pump group 1

Size cm ³	P(nom)		P(nom)		P(peak)	
	Type	Type	Type	Type	Type	Type
0.7	210	07W				
1.0	210	10W	250	10C	300	11G
1.3	210	13W	250	12C		13G
1.6	210	16W	250	16C	300	16G
2.0	210	20W	250	21C	300	21G
2.5	210	25W	250	25C	300	25G
3.3	210	33W	250	36C	280	32G
4.2	210	42W	250	42C		
4.8	210	48W	250	50C		
5.8	180	58W	210	58C		
7.8			180	78C		
8.8			150	88C		
9.8			230	98V		

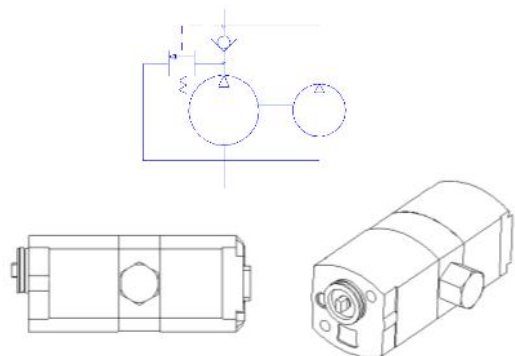


Group 1 pumps are available in three types, "W" is the standard option. Type C give higher pressures and larger displacements. Type "G" is a cast iron flanged pump for extended life in extreme applications.

Tandem Gear Pump group 1—Hi-Lo Pump

Size cm ³	Type
0.7cc+4.2cc with built-in unloading valve	4207W

W pumps have a built-in valve to unload the rear pump at low pressure, the high pressure front pump is set by the power pack relief valve.

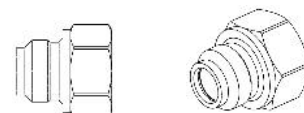


HYDRAULIC PUMP ACCESORIES

Pump Accessories

Pump by-pass valve

By-pass valve enables the pump to start off-load when using a Permanent capacitor motor. 3/8" BSP



HPM
TD4
33W
H
S
C
N
OSP
C
4567